

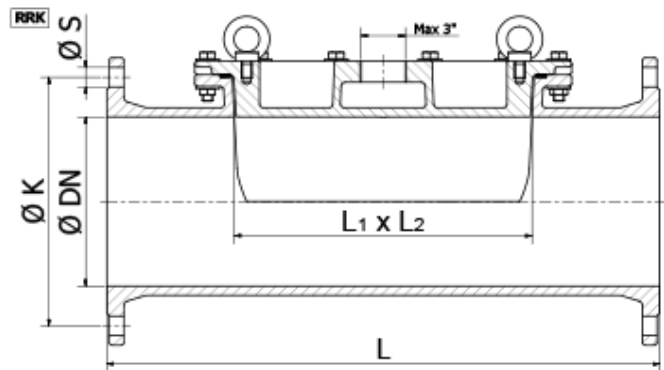
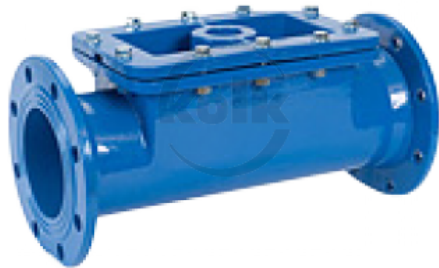
## Product Data Sheet

**1. Flanged fittings**  
1.12 Hatchboxes  
**Hatchbox (RRK) PN10/16**

**Material** EN 1563 EN-GJS-400-15  
**Design Std.** EN 545  
**Coating** Epoxy GSK RAL-GZ 662  
**Approval** Kiwa BRL-K772/04



Kolk flanged fittings are made of ductile iron GJS-400/500 (DIN1693 GGG-40/50). Designed acc. to EN 545, flange drilling acc. to EN 1092-2 (ISO 7005-2). Epoxy coated (Resicoat®) acc. to EN 14901 (DIN 30677-2) and GSK certified (RAL-GZ 662).



### Hatchbox (RRK) PN10/16

| Article | Article Nr.     | PN   | ø DN [mm] | L [mm] | L1 [mm] | L2 [mm] | Holes # [DN] | ø K [mm] | ø S [mm] | G [kg] |  |  |  |  |
|---------|-----------------|------|-----------|--------|---------|---------|--------------|----------|----------|--------|--|--|--|--|
| RRK 80  | 1.13RRK2.000010 | PN10 | 80        | 500    | 250     | 80      | 8            | 160      | 19       | 26     |  |  |  |  |
| RRK 100 | 1.13RRK2.010010 | PN10 | 100       | 500    | 250     | 100     | 8            | 180      | 19       | 30     |  |  |  |  |
| RRK 125 | 1.13RRK2.010020 | PN10 | 125       | 550    | 300     | 125     | 8            | 210      | 19       | 42     |  |  |  |  |
| RRK 150 | 1.13RRK2.010030 | PN10 | 150       | 550    | 300     | 150     | 8            | 240      | 23       | 48     |  |  |  |  |
| RRK 200 | 1.13RRK2.020010 | PN10 | 200       | 650    | 350     | 200     | 8            | 295      | 23       | 78     |  |  |  |  |
| RRK 250 | 1.13RRK2.020020 | PN10 | 250       | 700    | 360     | 250     | 12           | 350      | 23       | 106    |  |  |  |  |
| RRK 300 | 1.13RRK2.030010 | PN10 | 300       | 750    | 400     | 300     | 12           | 400      | 23       | 140    |  |  |  |  |
| RRK 350 | 1.13RRK2.030020 | PN10 | 350       | 800    | 500     | 350     | 16           | 460      | 23       | 182    |  |  |  |  |
| RRK 400 | 1.13RRK2.040010 | PN10 | 400       | 900    | 500     | 400     | 16           | 515      | 28       | 235    |  |  |  |  |
| RRK 450 | 1.13RRK2.040020 | PN10 | 450       | 900    | 500     | 450     | 20           | 565      | 28       | 195    |  |  |  |  |
| RRK 500 | 1.13RRK2.050010 | PN10 | 500       | 900    | 500     | 500     | 20           | 620      | 28       | 315    |  |  |  |  |
| RRK 600 | 1.13RRK2.060010 | PN10 | 600       | 1150   | 650     | 600     | 20           | 725      | 31       | 360    |  |  |  |  |
| RRK 700 | 1.13RRK2.070010 | PN10 | 700       | 1270   | 730     | 700     | 24           | 840      | 31       | 430    |  |  |  |  |
| RRK 800 | 1.13RRK2.080010 | PN10 | 800       | 1380   | 830     | 800     | 24           | 950      | 34       | 530    |  |  |  |  |