

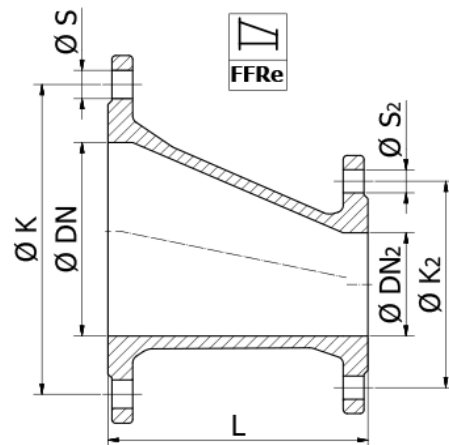
## Product Data Sheet

**1. Flanged fittings**  
 1.03 Flanged taper  
**Flanged eccentric taper (FFRe) PN10/16**

**Material** EN 1563 EN-GJS-400-15  
**Design Std.** EN 545  
**Coating** Epoxy GSK RAL-GZ 662  
**Approval** Kiwa BRL-K772/04



Kolk flanged fittings are made of ductile iron GJS-400/500 (DIN1693 GGG-40/50). Designed acc. to EN 545, flange drilling acc. to EN 1092-2 (ISO 7005-2). Epoxy coated (Resicoat®) acc. to EN 14901 (DIN 30677-2) and GSK certified (RAL-GZ 662).



### Flanged eccentric taper (FFRe) PN10/16

Article	Article Nr.	PN	ø DN [mm]	ø DN2 [mm]	L [mm]	Holes # [DN]	ø K [mm]	ø S [mm]	Holes # [DN2]	ø K2 [mm]	ø S2 [mm]	G [kg]		
FFRe 65/50	1.03FRE1.000010	PN10/16	65	50	200	4	145	19	4	125	19	9		
FFRe 80/50	1.03FRE1.000020	PN10/16	80	50	200	8	160	19	4	125	19	7		
FFRe 80/65	1.03FRE1.000030	PN10/16	80	65	200	8	160	19	4	145	19	8		
FFRe 100/50	1.03FRE1.010010	PN10/16	100	50	200	8	180	19	4	125	19	8		
FFRe 100/65	1.03FRE1.010020	PN10/16	100	65	200	8	180	19	4	145	19	9		
FFRe 100/80	1.03FRE1.010030	PN10/16	100	80	200	8	180	19	8	160	19	10		
FFRe 125/65	1.03FRE1.010040	PN10/16	125	65	200	8	210	19	4	145	19	19		
FFRe 125/80	1.03FRE1.010050	PN10/16	125	80	200	8	210	19	8	160	19	11		
FFRe 125/100	1.03FRE1.010060	PN10/16	125	100	200	8	210	19	8	180	19	11		
FFRe 150/65	1.03FRE1.010070	PN10/16	150	65	200	8	240	23	4	145	19	12		
FFRe 150/80	1.03FRE1.010080	PN10/16	150	80	200	8	240	23	8	160	19	12		
FFRe 150/100	1.03FRE1.010090	PN10/16	150	100	200	8	240	23	8	180	19	13		
FFRe 150/100-L	1.03FRE1.010100	PN10/16	150	100	300	8	240	23	8	180	19	13		
FFRe 150/125	1.03FRE1.010110	PN10/16	150	125	300	8	240	23	8	210	19	14		
FFRe 200/100	1.03FRE2.020010	PN10	200	100	300	8	295	23	8	180	19	19		
FFRe 200/125	1.03FRE2.020020	PN10	200	125	300	8	295	23	8	210	19	20		
FFRe 200/150	1.03FRE2.020030	PN10	200	150	300	8	295	23	8	240	23	22		
FFRe 250/100	1.03FRE2.020040	PN10	250	100	300	12	350	23	8	180	19	22		
FFRe 250/150	1.03FRE2.020050	PN10	250	150	300	12	350	23	8	240	23	28		
FFRe 250/200	1.03FRE2.020060	PN10	250	200	300	12	350	23	8	295	23	31		
FFRe 300/100	1.03FRE2.030010	PN10	300	100	300	12	400	23	8	180	19	31		

### Flanged eccentric taper (FFRe) PN10/16

Article	Article Nr.	PN	ø DN [mm]	ø DN2 [mm]	L [mm]	Holes # [DN]	ø K [mm]	ø S [mm]	Holes # [DN2]	ø K2 [mm]	ø S2 [mm]	G [kg]		
FFRe 300/125	1.03FRE2.030020	PN10	300	125	300	12	400	23	8	210	19	32		
FFRe 300/150	1.03FRE2.030030	PN10	300	150	300	12	400	23	8	240	23	33		
FFRe 300/200	1.03FRE2.030040	PN10	300	200	300	12	400	23	8	295	23	36		
FFRe 300/250	1.03FRE2.030050	PN10	300	250	300	12	400	23	12	350	23	41		
FFRe 350/150	1.03FRE2.030060	PN10	350	150	300	16	460	23	8	240	23	41		
FFRe 350/200	1.03FRE2.030070	PN10	350	200	300	16	460	23	8	295	23	50		
FFRe 350/250	1.03FRE2.030080	PN10	350	250	300	16	460	23	12	350	23	46		
FFRe 350/300	1.03FRE2.030090	PN10	350	300	300	16	460	23	12	400	23	55		
FFRe 400/150	1.03FRE2.040010	PN10	400	150	300	16	515	28	8	240	23	80		
FFRe 400/200	1.03FRE2.040020	PN10	400	200	300	16	515	28	8	295	23	98		
FFRe 400/250	1.03FRE2.040030	PN10	400	250	300	16	515	28	12	350	23	90		
FFRe 400/300	1.03FRE2.040040	PN10	400	300	300	16	515	28	12	400	23	95		
FFRe 400/350	1.03FRE2.040050	PN10	400	350	300	16	515	28	16	460	23	100		
FFRe 450/200	1.03FRE2.040060	PN10	450	200	600	20	565	28	8	295	23	140		
FFRe 450/250	1.03FRE2.040070	PN10	450	250	600	20	565	28	12	350	23	147		
FFRe 450/300	1.03FRE2.040080	PN10	450	300	600	20	565	28	12	400	23	152		
FFRe 450/350	1.03FRE2.040090	PN10	450	350	600	20	565	28	16	460	23	146		
FFRe 450/400	1.03FRE2.040100	PN10	450	400	600	20	565	28	16	515	28	150		
FFRe 500/200	1.03FRE2.050010	PN10	500	200	600	20	620	28	8	295	23	125		
FFRe 500/250	1.03FRE2.050020	PN10	500	250	600	20	620	28	12	350	23	125		
FFRe 500/300	1.03FRE2.050030	PN10	500	300	600	20	620	28	12	400	23	125		
FFRe 500/350	1.03FRE2.050040	PN10	500	350	600	20	620	28	16	460	23	140		
FFRe 500/400	1.03FRE2.050050	PN10	500	400	600	20	620	28	16	515	28	170		
FFRe 500/450	1.03FRE2.050060	PN10	500	450	600	20	620	28	20	565	28	188		
FFRe 600/200	1.03FRE2.060010	PN10	600	200	600	20	725	31	8	295	23	200		
FFRe 600/250	1.03FRE2.060020	PN10	600	250	600	20	725	31	12	350	23	200		
FFRe 600/300	1.03FRE2.060030	PN10	600	300	600	20	725	31	12	400	23	200		
FFRe 600/350	1.03FRE2.060040	PN10	600	350	600	20	725	31	16	460	23	200		
FFRe 600/400	1.03FRE2.060050	PN10	600	400	600	20	725	31	16	515	28	210		
FFRe 600/450	1.03FRE2.060060	PN10	600	450	600	20	725	31	20	565	28	240		
FFRe 600/500	1.03FRE2.060070	PN10	600	500	600	20	725	31	20	620	28	250		
FFRe 700/300	1.03FRE2.070010	PN10	700	300	600	24	840	31	12	400	23	290		
FFRe 700/350	1.03FRE2.070020	PN10	700	350	600	24	840	31	16	460	23	290		
FFRe 700/400	1.03FRE2.070030	PN10	700	400	600	24	840	31	16	515	28	290		
FFRe 700/450	1.03FRE2.070040	PN10	700	450	600	24	840	31	20	565	28	320		
FFRe 700/500	1.03FRE2.070050	PN10	700	500	600	24	840	31	20	620	28	320		
FFRe 700/600	1.03FRE2.070060	PN10	700	600	600	24	840	31	20	725	31	340		
FFRe 800/400	1.03FRE2.080010	PN10	800	400	600	24	950	34	16	515	28	270		
FFRe 800/450	1.03FRE2.080020	PN10	800	450	600	24	950	34	20	565	28	270		
FFRe 800/500	1.03FRE2.080030	PN10	800	500	600	24	950	34	20	620	28	270		
FFRe 800/600	1.03FRE2.080040	PN10	800	600	600	24	950	34	20	725	31	275		
FFRe 800/700	1.03FRE2.080050	PN10	800	700	600	24	950	34	24	840	31	300		
FFRe 900/500	1.03FRE2.090010	PN10	900	500	600	28	1050	34	20	620	28	280		

**Flanged eccentric taper (FFRe) PN10/16**

Article	Article Nr.	PN	∅ DN [mm]	∅ DN2 [mm]	L [mm]	Holes # [DN]	∅ K [mm]	∅ S [mm]	Holes # [DN2]	∅ K2 [mm]	∅ S2 [mm]	G [kg]		
FFRe 900/600	1.03FRE2.090020	PN10	900	600	600	28	1050	34	20	725	31	265		
FFRe 900/700	1.03FRE2.090030	PN10	900	700	600	28	1050	34	24	840	31	300		
FFRe 900/800	1.03FRE2.090040	PN10	900	800	600	28	1050	34	24	950	34	310		
FFRe 1000/500	1.03FRE2.100010	PN10	1000	500	600	28	1160	37	20	620	28	400		
FFRe 1000/600	1.03FRE2.100020	PN10	1000	600	600	28	1160	37	20	725	31	400		
FFRe 1000/700	1.03FRE2.100030	PN10	1000	700	600	28	1160	37	24	840	31	420		
FFRe 1000/800	1.03FRE2.100040	PN10	1000	800	600	28	1160	37	24	950	34	440		
FFRe 1000/900	1.03FRE2.100050	PN10	1000	900	600	28	1160	37	28	1050	34	460		
FFRe 200/100	1.03FRE3.020010	PN16	200	100	300	12	295	23	8	180	19	19		
FFRe 200/125	1.03FRE3.020020	PN16	200	125	300	12	295	23	8	210	19	20		
FFRe 200/150	1.03FRE3.020030	PN16	200	150	300	12	295	23	8	240	23	22		
FFRe 250/100	1.03FRE3.020040	PN16	250	100	300	12	355	28	8	180	19	22		
FFRe 250/150	1.03FRE3.020050	PN16	250	150	300	12	355	28	8	240	23	28		
FFRe 250/200	1.03FRE3.020060	PN16	250	200	300	12	355	28	12	295	23	31		
FFRe 300/100	1.03FRE3.030010	PN16	300	100	300	12	410	28	8	180	19	31		
FFRe 300/125	1.03FRE3.030020	PN16	300	125	300	12	410	28	8	210	19	32		
FFRe 300/150	1.03FRE3.030030	PN16	300	150	300	12	410	28	8	240	23	33		
FFRe 300/200	1.03FRE3.030040	PN16	300	200	300	12	410	28	12	295	23	36		
FFRe 300/250	1.03FRE3.030050	PN16	300	250	300	12	410	28	12	355	28	41		
FFRe 350/150	1.03FRE3.030060	PN16	350	150	300	16	470	28	8	240	23	41		
FFRe 350/200	1.03FRE3.030070	PN16	350	200	300	16	470	28	12	295	23	50		
FFRe 350/250	1.03FRE3.030080	PN16	350	250	300	16	470	28	12	355	28	46		
FFRe 350/300	1.03FRE3.030090	PN16	350	300	300	16	470	28	12	410	28	55		
FFRe 400/150	1.03FRE3.040010	PN16	400	150	300	16	525	31	8	240	23	80		
FFRe 400/200	1.03FRE3.040020	PN16	400	200	300	16	525	31	12	295	23	98		
FFRe 400/250	1.03FRE3.040030	PN16	400	250	300	16	525	31	12	355	28	90		
FFRe 400/300	1.03FRE3.040040	PN16	400	300	300	16	525	31	12	410	28	95		
FFRe 400/350	1.03FRE3.040050	PN16	400	350	300	16	525	31	16	470	28	100		
FFRe 450/200	1.03FRE3.040060	PN16	450	200	600	20	585	31	12	295	23	140		
FFRe 450/250	1.03FRE3.040070	PN16	450	250	600	20	585	31	12	355	28	147		
FFRe 450/300	1.03FRE3.040080	PN16	450	300	600	20	585	31	12	410	28	152		
FFRe 450/350	1.03FRE3.040090	PN16	450	350	600	20	585	31	16	470	28	146		
FFRe 450/400	1.03FRE3.040100	PN16	450	400	600	20	585	31	16	525	31	150		
FFRe 500/200	1.03FRE3.050010	PN16	500	200	600	20	650	34	12	295	23	125		
FFRe 500/250	1.03FRE3.050020	PN16	500	250	600	20	650	34	12	355	28	125		
FFRe 500/300	1.03FRE3.050030	PN16	500	300	600	20	650	34	12	410	28	125		
FFRe 500/350	1.03FRE3.050040	PN16	500	350	600	20	650	34	16	470	28	140		
FFRe 500/400	1.03FRE3.050050	PN16	500	400	600	20	650	34	16	525	31	170		
FFRe 500/450	1.03FRE3.050060	PN16	500	450	600	20	650	34	20	585	31	188		
FFRe 600/200	1.03FRE3.060010	PN16	600	200	600	20	770	37	12	295	23	200		
FFRe 600/250	1.03FRE3.060020	PN16	600	250	600	20	770	37	12	355	28	200		
FFRe 600/300	1.03FRE3.060030	PN16	600	300	600	20	770	37	12	410	28	200		
FFRe 600/350	1.03FRE3.060040	PN16	600	350	600	20	770	37	16	470	28	200		

### Flanged eccentric taper (FFRe) PN10/16

Article	Article Nr.	PN	∅ DN [mm]	∅ DN2 [mm]	L [mm]	Holes # [DN]	∅ K [mm]	∅ S [mm]	Holes # [DN2]	∅ K2 [mm]	∅ S2 [mm]	G [kg]		
FFRe 600/400	1.03FRE3.060050	PN16	600	400	600	20	770	37	16	525	31	210		
FFRe 600/450	1.03FRE3.060060	PN16	600	450	600	20	770	37	20	585	31	240		
FFRe 600/500	1.03FRE3.060070	PN16	600	500	600	20	770	37	20	650	34	250		
FFRe 700/300	1.03FRE3.070010	PN16	700	300	600	24	840	37	12	410	28	290		
FFRe 700/350	1.03FRE3.070020	PN16	700	350	600	24	840	37	16	470	28	290		
FFRe 700/400	1.03FRE3.070030	PN16	700	400	600	24	840	37	16	525	31	290		
FFRe 700/450	1.03FRE3.070040	PN16	700	450	600	24	840	37	20	585	31	320		
FFRe 700/500	1.03FRE3.070050	PN16	700	500	600	24	840	37	20	650	34	320		
FFRe 700/600	1.03FRE3.070060	PN16	700	600	600	24	840	37	20	770	37	340		
FFRe 800/400	1.03FRE3.080010	PN16	800	400	600	24	950	41	16	525	31	270		
FFRe 800/450	1.03FRE3.080020	PN16	800	450	600	24	950	41	20	585	31	270		
FFRe 800/500	1.03FRE3.080030	PN16	800	500	600	24	950	41	20	650	34	270		
FFRe 800/600	1.03FRE3.080040	PN16	800	600	600	24	950	41	20	770	37	275		
FFRe 800/700	1.03FRE3.080050	PN16	800	700	600	24	950	41	24	840	37	300		
FFRe 900/500	1.03FRE3.090010	PN16	900	500	600	28	1050	41	20	650	34	280		
FFRe 900/600	1.03FRE3.090020	PN16	900	600	600	28	1050	41	20	770	37	265		
FFRe 900/700	1.03FRE3.090030	PN16	900	700	600	28	1050	41	24	840	37	300		
FFRe 900/800	1.03FRE3.090040	PN16	900	800	600	28	1050	41	24	950	41	310		
FFRe 1000/500	1.03FRE3.100010	PN16	1000	500	600	28	1170	44	20	650	34	400		
FFRe 1000/600	1.03FRE3.100020	PN16	1000	600	600	28	1170	44	20	770	37	400		
FFRe 1000/700	1.03FRE3.100030	PN16	1000	700	600	28	1170	44	24	840	37	420		
FFRe 1000/800	1.03FRE3.100040	PN16	1000	800	600	28	1170	44	24	950	41	440		
FFRe 1000/900	1.03FRE3.100050	PN16	1000	900	600	28	1170	44	28	1050	41	460		

## TRAN-SIG-MA

Tran-Sig-Ma spol. s r.o.  
Dukelských hrdinů 19  
170 00 Praha 7 Czech  
Republic

Tel: 00420 233 373 040,  
00420 233 370 903,  
00420 233 380 185  
E-mail: [info@tran-sig-ma.cz](mailto:info@tran-sig-ma.cz)  
<http://www.tran-sig-ma.cz>