

Product Data Sheet

1. Flanged fittings

1.04 flanged pipes

Double flanged pipe (FF) PN10/16

Material EN 1563 EN-GJS-400-15

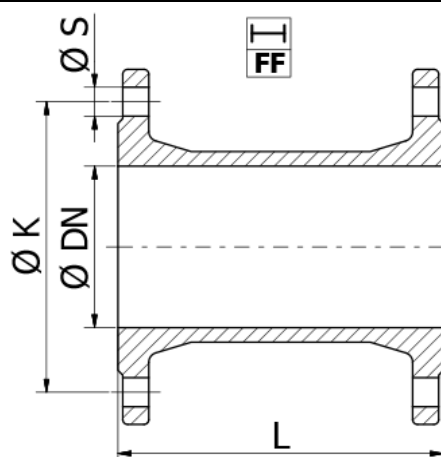
Design Std. EN 545

Coating Epoxy GSK RAL-GZ 662

Approval Kiwa BRL-K772/04



Kolk flanged fittings are made of ductile iron GJS-400/500 (DIN1693 GGG-40/50). Designed acc. to EN 545, flange drilling acc. to EN 1092-2 (ISO 7005-2). Epoxy coated (Resicoat®) acc. to EN 14901 (DIN 30677-2) and GSK certified (RAL-GZ 662).



Double flanged pipe (FF) PN10/16

Article	Article Nr.	PN	ø DN [mm]	L [mm]	Holes # [DN]	ø K [mm]	ø S [mm]	G [kg]						
FF 50, L= 100	1.04FF1.000010	PN10/16	50	100	4	125	19	5						
FF 50, L= 150	1.04FF1.000020	PN10/16	50	150	4	125	19	5						
FF 50, L= 200	1.04FF1.000030	PN10/16	50	200	4	125	19	5						
FF 50, L= 250	1.04FF1.000040	PN10/16	50	250	4	125	19	6						
FF 50, L= 300	1.04FF1.000050	PN10/16	50	300	4	125	19	6						
FF 50, L= 400	1.04FF1.000060	PN10/16	50	400	4	125	19	7						
FF 50, L= 450	1.04FF1.000070	PN10/16	50	450	4	125	19	8						
FF 50, L= 500	1.04FF1.000080	PN10/16	50	500	4	125	19	9						
FF 50, L= 600	1.04FF1.000090	PN10/16	50	600	4	125	19	10						
FF 65, L= 100	1.04FF1.000100	PN10/16	65	100	4	145	19	5						
FF 65, L= 200	1.04FF1.000110	PN10/16	65	200	4	145	19	8						
FF 65, L= 300	1.04FF1.000120	PN10/16	65	300	4	145	19	9						
FF 65, L= 400	1.04FF1.000130	PN10/16	65	400	4	145	19	10						
FF 65, L= 500	1.04FF1.000140	PN10/16	65	500	4	145	19	11						
FF 65, L= 600	1.04FF1.000150	PN10/16	65	600	4	145	19	13						
FF 80, L= 100	1.04FF1.000160	PN10/16	80	100	8	160	19	8						
FF 80, L= 150	1.04FF1.000170	PN10/16	80	150	8	160	19	8						
FF 80, L= 200	1.04FF1.000180	PN10/16	80	200	8	160	19	9						
FF 80, L= 250	1.04FF1.000190	PN10/16	80	250	8	160	19	10						
FF 80, L= 300	1.04FF1.000200	PN10/16	80	300	8	160	19	10						
FF 80, L= 350	1.04FF1.000210	PN10/16	80	350	8	160	19	11						

Double flanged pipe (FF) PN10/16

Article	Article Nr.	PN	∅ DN [mm]	L [mm]	Holes # [DN]	∅ K [mm]	∅ S [mm]	G [kg]						
FF 80, L= 400	1.04FF1.000220	PN10/16	80	400	8	160	19	11						
FF 80, L= 500	1.04FF1.000230	PN10/16	80	500	8	160	19	14						
FF 80, L= 600	1.04FF1.000240	PN10/16	80	600	8	160	19	13						
FF 80, L= 700	1.04FF1.000250	PN10/16	80	700	8	160	19	14						
FF 80, L= 800	1.04FF1.000260	PN10/16	80	800	8	160	19	15						
FF 80, L= 900	1.04FF1.000270	PN10/16	80	900	8	160	19	16						
FF 80, L= 1000	1.04FF1.000280	PN10/16	80	1000	8	160	19	18						
FF 100, L= 100	1.04FF1.010010	PN10/16	100	100	8	180	19	9						
FF 100, L= 150	1.04FF1.010020	PN10/16	100	150	8	180	19	10						
FF 100, L= 200	1.04FF1.010030	PN10/16	100	200	8	180	19	11						
FF 100, L= 250	1.04FF1.010040	PN10/16	100	250	8	180	19	12						
FF 100, L= 300	1.04FF1.010050	PN10/16	100	300	8	180	19	13						
FF 100, L= 400	1.04FF1.010060	PN10/16	100	400	8	180	19	14						
FF 100, L= 500	1.04FF1.010070	PN10/16	100	500	8	180	19	17						
FF 100, L= 600	1.04FF1.010080	PN10/16	100	600	8	180	19	19						
FF 100, L= 700	1.04FF1.010090	PN10/16	100	700	8	180	19	21						
FF 100, L= 800	1.04FF1.010100	PN10/16	100	800	8	180	19	23						
FF 100, L= 900	1.04FF1.010110	PN10/16	100	900	8	180	19	25						
FF 100, L= 1000	1.04FF1.010120	PN10/16	100	1000	8	180	19	27						
FF 125, L= 100	1.04FF1.010130	PN10/16	125	100	8	210	19	11						
FF 125, L= 150	1.04FF1.010140	PN10/16	125	150	8	210	19	12						
FF 125, L= 200	1.04FF1.010150	PN10/16	125	200	8	210	19	13						
FF 125, L= 300	1.04FF1.010160	PN10/16	125	300	8	210	19	16						
FF 125, L= 400	1.04FF1.010170	PN10/16	125	400	8	210	19	19						
FF 125, L= 500	1.04FF1.010180	PN10/16	125	500	8	210	19	21						
FF 125, L= 600	1.04FF1.010190	PN10/16	125	600	8	210	19	24						
FF 125, L= 700	1.04FF1.010200	PN10/16	125	700	8	210	19	26						
FF 125, L= 800	1.04FF1.010210	PN10/16	125	800	8	210	19	29						
FF 125, L= 900	1.04FF1.010220	PN10/16	125	900	8	210	19	32						
FF 125, L= 1000	1.04FF1.010230	PN10/16	125	1000	8	210	19	34						
FF 150, L= 100	1.04FF1.010240	PN10/16	150	100	8	240	23	14						
FF 150, L= 150	1.04FF1.010250	PN10/16	150	150	8	240	23	16						
FF 150, L= 200	1.04FF1.010260	PN10/16	150	200	8	240	23	18						
FF 150, L= 250	1.04FF1.010270	PN10/16	150	250	8	240	23	18						
FF 150, L= 300	1.04FF1.010280	PN10/16	150	300	8	240	23	20						
FF 150, L= 400	1.04FF1.010290	PN10/16	150	400	8	240	23	23						
FF 150, L= 500	1.04FF1.010300	PN10/16	150	500	8	240	23	23						
FF 150, L= 600	1.04FF1.010310	PN10/16	150	600	8	240	23	24						
FF 150, L= 700	1.04FF1.010320	PN10/16	150	700	8	240	23	26						
FF 150, L= 800	1.04FF1.010330	PN10/16	150	800	8	240	23	29						
FF 150, L= 900	1.04FF1.010340	PN10/16	150	900	8	240	23	31						
FF 150, L= 1000	1.04FF1.010350	PN10/16	150	1000	8	240	23	33						
FF 200, L= 100	1.04FF2.020010	PN10	200	100	8	295	23	17						

Double flanged pipe (FF) PN10/16

Article	Article Nr.	PN	∅ DN [mm]	L [mm]	Holes # [DN]	∅ K [mm]	∅ S [mm]	G [kg]						
FF 200, L= 150	1.04FF2.020011	PN10	200	150	8	295	23	18						
FF 200, L= 200	1.04FF2.020020	PN10	200	200	8	295	23	20						
FF 200, L= 250	1.04FF2.020021	PN10	200	200	8	295	23	20						
FF 200, L= 300	1.04FF2.020030	PN10	200	300	8	295	23	24						
FF 200, L= 400	1.04FF2.020040	PN10	200	400	8	295	23	27						
FF 200, L= 500	1.04FF2.020050	PN10	200	500	8	295	23	30						
FF 200, L= 600	1.04FF2.020060	PN10	200	600	8	295	23	34						
FF 200, L= 700	1.04FF2.020070	PN10	200	700	8	295	23	37						
FF 200, L= 800	1.04FF2.020080	PN10	200	800	8	295	23	40						
FF 200, L= 900	1.04FF2.020090	PN10	200	900	8	295	23	44						
FF 200, L= 1000	1.04FF2.020100	PN10	200	1000	8	295	23	58						
FF 250, L= 100	1.04FF2.020110	PN10	250	100	12	350	23	25						
FF 250, L= 150	1.04FF2.020111	PN10	250	100	12	350	23	25						
FF 250, L= 200	1.04FF2.020120	PN10	250	200	12	350	23	32						
FF 250, L= 250	1.04FF2.020121	PN10	250	200	12	350	23	32						
FF 250, L= 300	1.04FF2.020130	PN10	250	300	12	350	23	38						
FF 250, L= 400	1.04FF2.020140	PN10	250	400	12	350	23	44						
FF 250, L= 500	1.04FF2.020150	PN10	250	500	12	350	23	50						
FF 250, L= 600	1.04FF2.020160	PN10	250	600	12	350	23	57						
FF 250, L= 700	1.04FF2.020170	PN10	250	700	12	350	23	62						
FF 250, L= 800	1.04FF2.020180	PN10	250	800	12	350	23	69						
FF 250, L= 900	1.04FF2.020190	PN10	250	900	12	350	23	75						
FF 250, L= 1000	1.04FF2.020200	PN10	250	1000	12	350	23	81						
FF 300, L= 100	1.04FF2.030010	PN10	300	100	12	400	23	34						
FF 300, L= 150	1.04FF2.030011	PN10	300	100	12	400	23	34						
FF 300, L= 200	1.04FF2.030020	PN10	300	200	12	400	23	41						
FF 300, L= 250	1.04FF2.030021	PN10	300	200	12	400	23	41						
FF 300, L= 300	1.04FF2.030030	PN10	300	300	12	400	23	50						
FF 300, L= 400	1.04FF2.030040	PN10	300	400	12	400	23	57						
FF 300, L= 500	1.04FF2.030050	PN10	300	500	12	400	23	65						
FF 300, L= 600	1.04FF2.030060	PN10	300	600	12	400	23	73						
FF 300, L= 700	1.04FF2.030070	PN10	300	700	12	400	23	80						
FF 300, L= 800	1.04FF2.030080	PN10	300	800	12	400	23	89						
FF 300, L= 900	1.04FF2.030090	PN10	300	900	12	400	23	96						
FF 300, L= 1000	1.04FF2.030100	PN10	300	1000	12	400	23	104						
FF 350, L= 200	1.04FF2.030110	PN10	350	200	16	460	23	49						
FF 350, L= 300	1.04FF2.030120	PN10	350	300	16	460	23	59						
FF 350, L= 400	1.04FF2.030130	PN10	350	400	16	460	23	63						
FF 350, L= 500	1.04FF2.030140	PN10	350	500	16	460	23	70						
FF 350, L= 600	1.04FF2.030150	PN10	350	600	16	460	23	77						
FF 350, L= 700	1.04FF2.030160	PN10	350	700	16	460	23	84						
FF 350, L= 800	1.04FF2.030170	PN10	350	800	16	460	23	91						
FF 350, L= 900	1.04FF2.030180	PN10	350	900	16	460	23	98						

Double flanged pipe (FF) PN10/16

Article	Article Nr.	PN	ø DN [mm]	L [mm]	Holes # [DN]	ø K [mm]	ø S [mm]	G [kg]						
FF 350, L= 1000	1.04FF2.030190	PN10	350	1000	16	460	23	105						
FF 400, L= 200	1.04FF2.040010	PN10	400	200	16	515	28	58						
FF 400, L= 300	1.04FF2.040020	PN10	400	300	16	515	28	70						
FF 400, L= 400	1.04FF2.040030	PN10	400	400	16	515	28	75						
FF 400, L= 500	1.04FF2.040040	PN10	400	500	16	515	28	85						
FF 400, L= 600	1.04FF2.040050	PN10	400	600	16	515	28	92						
FF 400, L= 700	1.04FF2.040060	PN10	400	700	16	515	28	101						
FF 400, L= 800	1.04FF2.040070	PN10	400	800	16	515	28	109						
FF 400, L= 900	1.04FF2.040080	PN10	400	900	16	515	28	117						
FF 400, L= 1000	1.04FF2.040090	PN10	400	1000	16	515	28	126						
FF 450, L= 200	1.04FF2.040100	PN10	450	200	20	565	28	70						
FF 450, L= 300	1.04FF2.040110	PN10	450	300	20	565	28	85						
FF 450, L= 400	1.04FF2.040120	PN10	450	400	20	565	28	95						
FF 450, L= 500	1.04FF2.040130	PN10	450	500	20	565	28	110						
FF 450, L= 600	1.04FF2.040140	PN10	450	600	20	565	28	123						
FF 450, L= 700	1.04FF2.040150	PN10	450	700	20	565	28	130						
FF 450, L= 800	1.04FF2.040160	PN10	450	800	20	565	28	155						
FF 450, L= 900	1.04FF2.040170	PN10	450	900	20	565	28	175						
FF 450, L= 1000	1.04FF2.040180	PN10	450	1000	20	565	28	185						
FF 500, L= 200	1.04FF2.050010	PN10	500	200	20	620	28	79						
FF 500, L= 300	1.04FF2.050020	PN10	500	300	20	620	28	94						
FF 500, L= 400	1.04FF2.050030	PN10	500	400	20	620	28	111						
FF 500, L= 500	1.04FF2.050040	PN10	500	500	20	620	28	127						
FF 500, L= 600	1.04FF2.050050	PN10	500	600	20	620	28	143						
FF 500, L= 700	1.04FF2.050060	PN10	500	700	20	620	28	159						
FF 500, L= 800	1.04FF2.050070	PN10	500	800	20	620	28	175						
FF 500, L= 900	1.04FF2.050080	PN10	500	900	20	620	28	191						
FF 500, L= 1000	1.04FF2.050090	PN10	500	1000	20	620	28	207						
FF 600, L= 200	1.04FF2.060010	PN10	600	200	20	725	31	108						
FF 600, L= 300	1.04FF2.060020	PN10	600	300	20	725	31	129						
FF 600, L= 400	1.04FF2.060030	PN10	600	400	20	725	31	150						
FF 600, L= 500	1.04FF2.060040	PN10	600	500	20	725	31	171						
FF 600, L= 600	1.04FF2.060050	PN10	600	600	20	725	31	192						
FF 600, L= 700	1.04FF2.060060	PN10	600	700	20	725	31	214						
FF 600, L= 800	1.04FF2.060070	PN10	600	800	20	725	31	235						
FF 600, L= 900	1.04FF2.060080	PN10	600	900	20	725	31	256						
FF 600, L= 1000	1.04FF2.060090	PN10	600	1000	20	725	31	277						
FF 700, L= 200	1.04FF2.070010	PN10	700	200	24	840	31	145						
FF 700, L= 300	1.04FF2.070020	PN10	700	300	24	840	31	169						
FF 700, L= 400	1.04FF2.070030	PN10	700	400	24	840	31	196						
FF 700, L= 500	1.04FF2.070040	PN10	700	500	24	840	31	223						
FF 700, L= 600	1.04FF2.070050	PN10	700	600	24	840	31	250						
FF 700, L= 700	1.04FF2.070060	PN10	700	700	24	840	31	276						

Double flanged pipe (FF) PN10/16

Article	Article Nr.	PN	ø DN [mm]	L [mm]	Holes # [DN]	ø K [mm]	ø S [mm]	G [kg]						
FF 700, L= 800	1.04FF2.070070	PN10	700	800	24	840	31	303						
FF 700, L= 900	1.04FF2.070080	PN10	700	900	24	840	31	330						
FF 700, L= 1000	1.04FF2.070090	PN10	700	1000	24	840	31	357						
FF 800, L= 200	1.04FF2.080010	PN10	800	200	24	950	34	200						
FF 800, L= 300	1.04FF2.080020	PN10	800	300	24	950	34	217						
FF 800, L= 400	1.04FF2.080030	PN10	800	400	24	950	34	250						
FF 800, L= 500	1.04FF2.080040	PN10	800	500	24	950	34	284						
FF 800, L= 600	1.04FF2.080050	PN10	800	600	24	950	34	317						
FF 800, L= 700	1.04FF2.080060	PN10	800	700	24	950	34	350						
FF 800, L= 800	1.04FF2.080070	PN10	800	800	24	950	34	383						
FF 800, L= 900	1.04FF2.080080	PN10	800	900	24	950	34	416						
FF 800, L= 1000	1.04FF2.080090	PN10	800	1000	24	950	34	450						
FF 900, L= 200	1.04FF2.090010	PN10	900	200	28	1050	34	260						
FF 900, L= 300	1.04FF2.090020	PN10	900	300	28	1050	34	280						
FF 900, L= 400	1.04FF2.090030	PN10	900	400	28	1050	34	300						
FF 900, L= 500	1.04FF2.090040	PN10	900	500	28	1050	34	340						
FF 900, L= 600	1.04FF2.090050	PN10	900	600	28	1050	34	380						
FF 900, L= 700	1.04FF2.090060	PN10	900	700	28	1050	34	420						
FF 900, L= 800	1.04FF2.090070	PN10	900	800	28	1050	34	461						
FF 900, L= 900	1.04FF2.090080	PN10	900	900	28	1050	34	502						
FF 900, L= 1000	1.04FF2.090090	PN10	900	1000	28	1050	34	540						
FF 1000, L= 200	1.04FF2.100010	PN10	1000	200	28	1160	37	315						
FF 1000, L= 300	1.04FF2.100020	PN10	1000	300	28	1160	37	330						
FF 1000, L= 400	1.04FF2.100030	PN10	1000	400	28	1160	37	366						
FF 1000, L= 500	1.04FF2.100040	PN10	1000	500	28	1160	37	414						
FF 1000, L= 600	1.04FF2.100050	PN10	1000	600	28	1160	37	462						
FF 1000, L= 700	1.04FF2.100060	PN10	1000	700	28	1160	37	510						
FF 1000, L= 800	1.04FF2.100070	PN10	1000	800	28	1160	37	557						
FF 1000, L= 900	1.04FF2.100080	PN10	1000	900	28	1160	37	605						
FF 1000, L= 1000	1.04FF2.100090	PN10	1000	1000	28	1160	37	653						
FF 200, L= 100	1.04FF3.020010	PN16	200	100	12	295	23	17						
FF 200, L= 200	1.04FF3.020020	PN16	200	200	12	295	23	20						
FF 200, L= 300	1.04FF3.020030	PN16	200	300	12	295	23	24						
FF 200, L= 400	1.04FF3.020040	PN16	200	400	12	295	23	28						
FF 200, L= 500	1.04FF3.020050	PN16	200	500	12	295	23	30						
FF 200, L= 600	1.04FF3.020060	PN16	200	600	12	295	23	34						
FF 200, L= 700	1.04FF3.020070	PN16	200	700	12	295	23	37						
FF 200, L= 800	1.04FF3.020080	PN16	200	800	12	295	23	40						
FF 200, L= 900	1.04FF3.020090	PN16	200	900	12	295	23	43						
FF 200, L= 1000	1.04FF3.020100	PN16	200	1000	12	295	23	58						
FF 250, L= 100	1.04FF3.020110	PN16	250	100	12	355	28	25						
FF 250, L= 200	1.04FF3.020120	PN16	250	200	12	355	28	32						
FF 250, L= 300	1.04FF3.020130	PN16	250	300	12	355	28	38						

Double flanged pipe (FF) PN10/16

Article	Article Nr.	PN	ø DN [mm]	L [mm]	Holes # [DN]	ø K [mm]	ø S [mm]	G [kg]						
FF 250, L= 400	1.04FF3.020140	PN16	250	400	12	355	28	44						
FF 250, L= 500	1.04FF3.020150	PN16	250	500	12	355	28	50						
FF 250, L= 600	1.04FF3.020160	PN16	250	600	12	355	28	57						
FF 250, L= 700	1.04FF3.020170	PN16	250	700	12	355	28	62						
FF 250, L= 800	1.04FF3.020180	PN16	250	800	12	355	28	69						
FF 250, L= 900	1.04FF3.020190	PN16	250	900	12	355	28	75						
FF 250, L= 1000	1.04FF3.020200	PN16	250	1000	12	355	28	81						
FF 300, L= 100	1.04FF3.030010	PN16	300	100	12	410	28	34						
FF 300, L= 200	1.04FF3.030020	PN16	300	200	12	410	28	41						
FF 300, L= 300	1.04FF3.030030	PN16	300	300	12	410	28	50						
FF 300, L= 400	1.04FF3.030040	PN16	300	400	12	410	28	57						
FF 300, L= 500	1.04FF3.030050	PN16	300	500	12	410	28	65						
FF 300, L= 600	1.04FF3.030060	PN16	300	600	12	410	28	73						
FF 300, L= 700	1.04FF3.030070	PN16	300	700	12	410	28	80						
FF 300, L= 800	1.04FF3.030080	PN16	300	800	12	410	28	89						
FF 300, L= 900	1.04FF3.030090	PN16	300	900	12	410	28	96						
FF 300, L= 1000	1.04FF3.030100	PN16	300	1000	12	410	28	104						
FF 350, L= 200	1.04FF3.030110	PN16	350	200	16	470	28	49						
FF 350, L= 300	1.04FF3.030120	PN16	350	300	16	470	28	58						
FF 350, L= 400	1.04FF3.030130	PN16	350	400	16	470	28	63						
FF 350, L= 500	1.04FF3.030140	PN16	350	500	16	470	28	70						
FF 350, L= 600	1.04FF3.030150	PN16	350	600	16	470	28	77						
FF 350, L= 700	1.04FF3.030160	PN16	350	700	16	470	28	84						
FF 350, L= 800	1.04FF3.030170	PN16	350	800	16	470	28	91						
FF 350, L= 900	1.04FF3.030180	PN16	350	900	16	470	28	98						
FF 350, L= 1000	1.04FF3.030190	PN16	350	1000	16	470	28	105						
FF 400, L= 200	1.04FF3.040010	PN16	400	200	16	525	31	58						
FF 400, L= 300	1.04FF3.040020	PN16	400	300	16	525	31	69						
FF 400, L= 400	1.04FF3.040030	PN16	400	400	16	525	31	75						
FF 400, L= 500	1.04FF3.040040	PN16	400	500	16	525	31	85						
FF 400, L= 600	1.04FF3.040050	PN16	400	600	16	525	31	92						
FF 400, L= 700	1.04FF3.040060	PN16	400	700	16	525	31	101						
FF 400, L= 800	1.04FF3.040070	PN16	400	800	16	525	31	109						
FF 400, L= 900	1.04FF3.040080	PN16	400	900	16	525	31	117						
FF 400, L= 1000	1.04FF3.040090	PN16	400	1000	16	525	31	126						
FF 450, L= 200	1.04FF3.040100	PN16	450	200	20	585	31	70						
FF 450, L= 300	1.04FF3.040110	PN16	450	300	20	585	31	85						
FF 450, L= 400	1.04FF3.040120	PN16	450	400	20	585	31	95						
FF 450, L= 500	1.04FF3.040130	PN16	450	500	20	585	31	110						
FF 450, L= 600	1.04FF3.040140	PN16	450	600	20	585	31	123						
FF 450, L= 700	1.04FF3.040150	PN16	450	700	20	585	31	130						
FF 450, L= 800	1.04FF3.040160	PN16	450	800	20	585	31	155						
FF 450, L= 900	1.04FF3.040170	PN16	450	900	20	585	31	175						

Double flanged pipe (FF) PN10/16

Article	Article Nr.	PN	∅ DN [mm]	L [mm]	Holes # [DN]	∅ K [mm]	∅ S [mm]	G [kg]						
FF 450, L= 1000	1.04FF3.040180	PN16	450	1000	20	585	31	185						
FF 500, L= 200	1.04FF3.050010	PN16	500	200	20	650	34	78.5						
FF 500, L= 300	1.04FF3.050020	PN16	500	300	20	650	34	94.5						
FF 500, L= 400	1.04FF3.050030	PN16	500	400	20	650	34	111						
FF 500, L= 500	1.04FF3.050040	PN16	500	500	20	650	34	127						
FF 500, L= 600	1.04FF3.050050	PN16	500	600	20	650	34	143						
FF 500, L= 700	1.04FF3.050060	PN16	500	700	20	650	34	159						
FF 500, L= 800	1.04FF3.050070	PN16	500	800	20	650	34	175						
FF 500, L= 900	1.04FF3.050080	PN16	500	900	20	650	34	191						
FF 500, L= 1000	1.04FF3.050090	PN16	500	1000	20	650	34	207						
FF 600, L= 200	1.04FF3.060010	PN16	600	200	20	770	37	108						
FF 600, L= 300	1.04FF3.060020	PN16	600	300	20	770	37	129						
FF 600, L= 400	1.04FF3.060030	PN16	600	400	20	770	37	150						
FF 600, L= 500	1.04FF3.060040	PN16	600	500	20	770	37	171						
FF 600, L= 600	1.04FF3.060050	PN16	600	600	20	770	37	192						
FF 600, L= 700	1.04FF3.060060	PN16	600	700	20	770	37	214						
FF 600, L= 800	1.04FF3.060070	PN16	600	800	20	770	37	235						
FF 600, L= 900	1.04FF3.060080	PN16	600	900	20	770	37	256						
FF 600, L= 1000	1.04FF3.060090	PN16	600	1000	20	770	37	277						
FF 700, L= 200	1.04FF3.070010	PN16	700	200	24	840	37	145						
FF 700, L= 300	1.04FF3.070020	PN16	700	300	24	840	37	169						
FF 700, L= 400	1.04FF3.070030	PN16	700	400	24	840	37	196						
FF 700, L= 500	1.04FF3.070040	PN16	700	500	24	840	37	223						
FF 700, L= 600	1.04FF3.070050	PN16	700	600	24	840	37	250						
FF 700, L= 700	1.04FF3.070060	PN16	700	700	24	840	37	276						
FF 700, L= 800	1.04FF3.070070	PN16	700	800	24	840	37	303						
FF 700, L= 900	1.04FF3.070080	PN16	700	900	24	840	37	330						
FF 700, L= 1000	1.04FF3.070090	PN16	700	1000	24	840	37	357						
FF 800, L= 200	1.04FF3.080010	PN16	800	200	24	950	41	200						
FF 800, L= 300	1.04FF3.080020	PN16	800	300	24	950	41	217						
FF 800, L= 400	1.04FF3.080030	PN16	800	400	24	950	41	250						
FF 800, L= 500	1.04FF3.080040	PN16	800	500	24	950	41	284						
FF 800, L= 600	1.04FF3.080050	PN16	800	600	24	950	41	317						
FF 800, L= 700	1.04FF3.080060	PN16	800	700	24	950	41	350						
FF 800, L= 800	1.04FF3.080070	PN16	800	800	24	950	41	383						
FF 800, L= 900	1.04FF3.080080	PN16	800	900	24	950	41	416						
FF 800, L= 1000	1.04FF3.080090	PN16	800	1000	24	950	41	450						
FF 900, L= 200	1.04FF3.090010	PN16	900	200	28	1050	41	260						
FF 900, L= 300	1.04FF3.090020	PN16	900	300	28	1050	41	280						
FF 900, L= 400	1.04FF3.090030	PN16	900	400	28	1050	41	300						
FF 900, L= 500	1.04FF3.090040	PN16	900	500	28	1050	41	340						
FF 900, L= 600	1.04FF3.090050	PN16	900	600	28	1050	41	380						
FF 900, L= 700	1.04FF3.090060	PN16	900	700	28	1050	41	420						

Double flanged pipe (FF) PN10/16

Article	Article Nr.	PN	∅ DN [mm]	L [mm]	Holes # [DN]	∅ K [mm]	∅ S [mm]	G [kg]						
FF 900, L= 800	1.04FF3.090070	PN16	900	800	28	1050	41	461						
FF 900, L= 900	1.04FF3.090080	PN16	900	900	28	1050	41	502						
FF 900, L= 1000	1.04FF3.090090	PN16	900	1000	28	1050	41	540						
FF 1000, L= 200	1.04FF3.100010	PN16	1000	200	28	1170	44	315						
FF 1000, L= 300	1.04FF3.100020	PN16	1000	300	28	1170	44	330						
FF 1000, L= 400	1.04FF3.100030	PN16	1000	400	28	1170	44	366						
FF 1000, L= 500	1.04FF3.100040	PN16	1000	500	28	1170	44	414						
FF 1000, L= 600	1.04FF3.100050	PN16	1000	600	28	1170	44	462						
FF 1000, L= 700	1.04FF3.100060	PN16	1000	700	28	1170	44	510						
FF 1000, L= 800	1.04FF3.100070	PN16	1000	800	28	1170	44	557						
FF 1000, L= 900	1.04FF3.100080	PN16	1000	900	28	1170	44	605						
FF 1000, L= 1000	1.04FF3.100090	PN16	1000	1000	28	1170	44	653						

 **TRAN-SIG-MA**

Tran-Sig-Ma spol. s r.o.
 Dukelských hrdinů 19
 170 00 Praha 7 Czech
 Republic

Tel: 00420 233 373 040,
 00420 233 370 903,
 00420 233 380 185
 E-mail: info@tran-sig-ma.cz
<http://www.tran-sig-ma.cz>